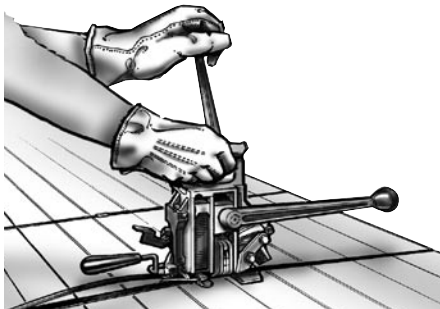


Combination tools function as tensioners, sealers, and often cutters as well. They save time by eliminating the handling of separate tools. But weighing more than such tools, they should be placed as close as possible to the position where they will be used. Seal-feed combination tools carry a stack of seals in a magazine for fast, easy loading.

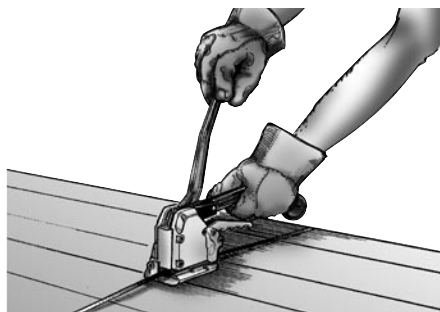
Manual seal-feed

Manually operated seal-feed combination tools include the AH, AL, and AM series models.



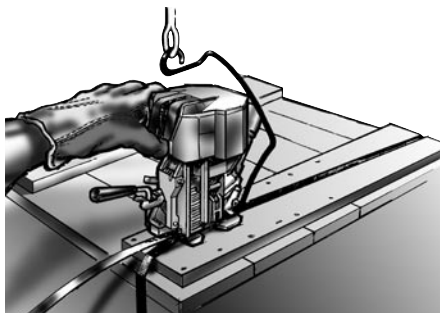
Manual sealless

The SCM and SCM_H sealless combination tools require no metal seals, saving time and money. Production interruptions for reloading are eliminated, along with the purchasing, inventorying and loading of seals.



Pneumatic seal-feed

Using applied air pressure as a power source, pneumatic seal-feed combination tools quickly and effortlessly tension, seal, and cut the strapping. These tools include the AHP and the AMP.

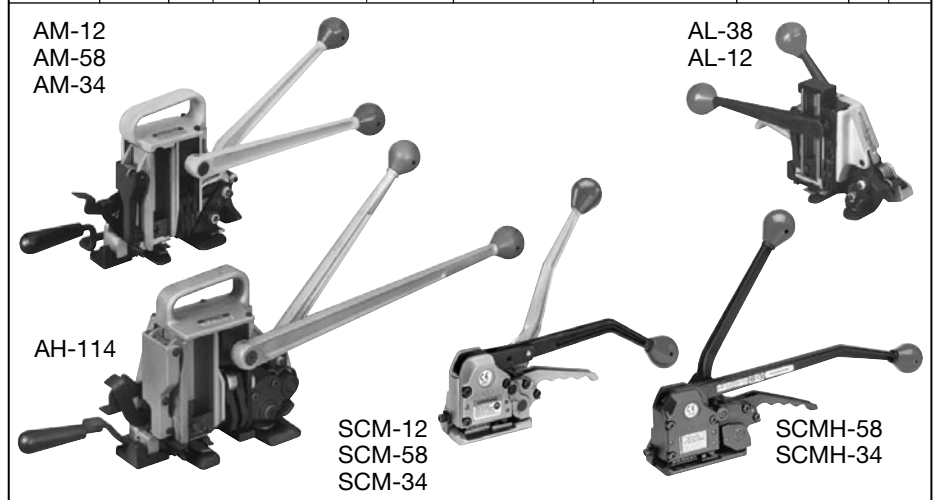


Pneumatic sealless

Pneumatic sealless combination tools include the SLP and the SPC.

Model	Part Number	Strap Size				Strap Type	Seal Name	Joint Type	Weight	
		Width		Thickness					lbs	kg
		inch	mm	inch	mm					
Manual seal-feed										
AL-38	023380	3/8	9.5	0.017-0.020	0.43-0.51	Apex Plus	38 AL	Double Notch	8	3.6
AL-12	023300	1/2	12.7	0.017	0.43		12 AL			
AM-12	023230	1/2	12.7	0.017-0.023	0.43-0.58	Apex Plus, Magnus	12 AMP	Double Notch	14	6.4
AM-58	023220	5/8	15.9	0.017-0.023	0.43-0.58		58/34 AMP			
AM-34*	023200	3/4	19.0	0.017-0.025	0.43-0.64					
AH-114	015700	1-1/4	31.8	0.031-0.035	0.79-0.89	Magnus	114 A	DRN**	25	11.3

Manual sealless										
SCM-12	424350	1/2	12.7	0.017-0.023	0.43-0.58	Apex Plus, Magnus	Sealless	3 Key	8.4	3.8
SCM-58	424358	5/8	15.9	0.017-0.023	0.43-0.58					
SCM-34	424334	3/4	19.0	0.017-0.025	0.43-0.64					
SCMH-58	424510	5/8	15.9	0.020-0.023	0.51-0.58	Apex Plus, Magnus	Sealless	3 Key	11	5
SCMH-34	424500	3/4	19.0	0.023-0.031	0.58-0.79					



Pneumatic seal-feed										
AMP-1-12	024780	1/2	12.7	0.020-0.023	0.51-0.58	Magnus	12 AMP	Double Notch	22	10
AMP-1-58	024770	5/8	15.9	0.020-0.023	0.51-0.58	Apex Plus, Magnus	58/34 AMP		22	10
AMP-1-34	024760	3/4	19.0	0.020-0.025	0.51-0.64				22	10
AHP-34	023700	3/4	19.0	0.031	0.79	Magnus	34 MNT		40	18.1
AHP-2-114	015650	1-1/4	31.8	0.025-0.035	0.64-0.89	Magnus	114 A	DRN**	40	18.1

Pneumatic sealless										
SLP-12	422350	1/2	12.7	0.017-0.023	0.43-0.58	Apex Plus, Magnus	Sealless	3 Key	15	6.4
SLP-58	422355	5/8	15.9	0.017-0.023	0.43-0.58					
SLP-34	422360	3/4	19.0	0.017-0.025	0.43-0.64					
SPC-3431	422446	3/4	19.0	0.025-0.031	0.64-0.79	Magnus	Sealless	4 Key	24	10.8
SPC-114	423125	1-1/4	31.8	0.025-0.031	0.64-0.79	Magnus	Sealless	4 Key	37	16.8



*A conversion kit is available to accommodate 0.031 strapping (Part No. 306815). **Double Reverse Notch

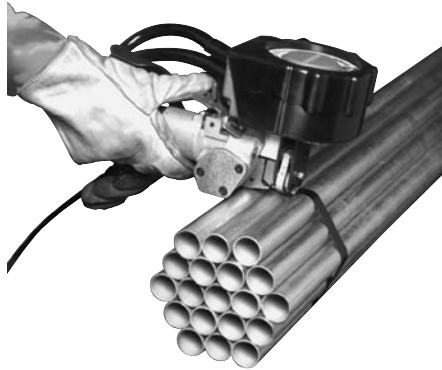
Combination Tools



For steel strapping

Pneumatic push-type

Pneumatic push-type combination tools, including the PNSC and PRH-Series models, are used with push-type seals on irregular-shaped packages. Air power tensions, seals and cuts the strapping.



Model	Part Number	Strap Size				Strap Type	Seal Name	Joint Type	Weight	
		Width		Thickness					lbs	kg
		inch	mm	inch	mm					
Pneumatic push-type										
PNSC 2-12	422495	1/2	12.7	0.017-0.023	0.43-0.58	Apex Plus, Magnus	12 SPC	Single	9.5	4.3
PNSC 2-58	422496	5/8	15.9	0.017-0.023	0.43-0.58		58 SPC	Reverse		
PNSC 2-34	422497	3/4	19.0	0.017-0.025	0.43-0.64		34 PNSC	Notch		
PRHM-34	306700	3/4	19.0	0.025-0.031	0.64-0.79	Magnus	34 HOC	Double	16	7.3
PRHR-34	424234	3/4	19.0	0.025-0.031	0.64-0.79	Magnus	34 HOC	Reverse	34	15.4
PRHR-114	423570	1-1/4	31.8	0.025-0.035	0.64-0.89		114 P	Notch	34	15.4



PRHM-34



PNSC 2-12
PNSC 2-58
PNSC 2-34



PRHR-34
PRHR-114